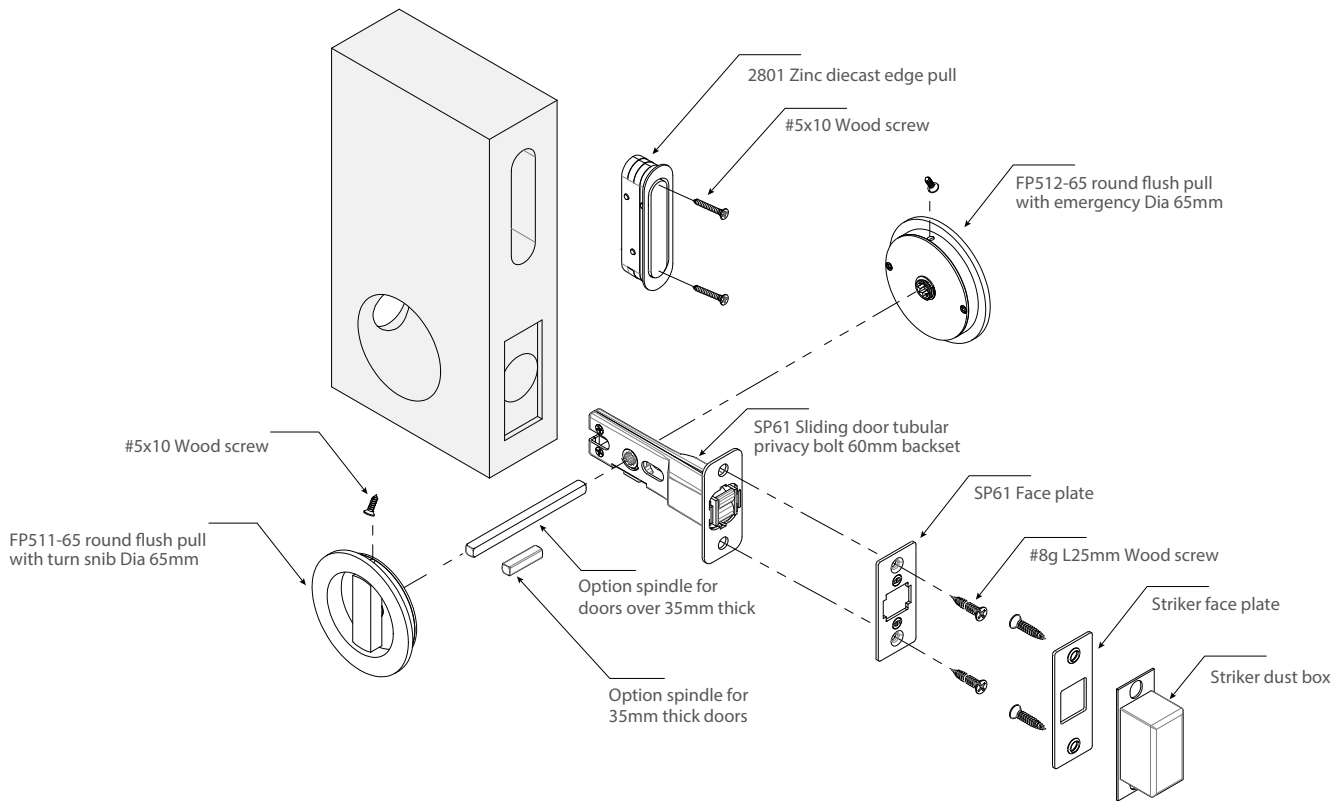
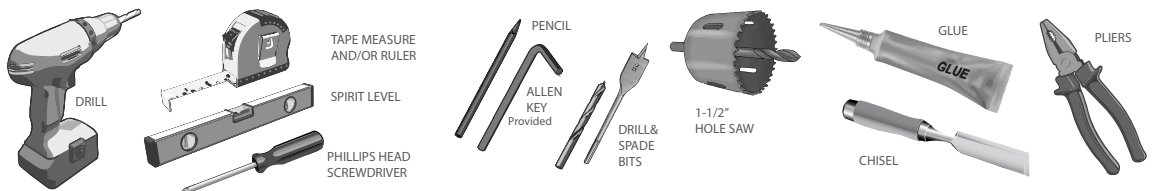


FP51112-65 Sliding Privacy Kit Installation Guide



Tools Required

Suggested tools to be used



dD Guarantee

Designer Doorware Pty Ltd guarantees their products against defects in workmanship or materials. If, within the warranty period your product is found to be defective, Designer Doorware will repair and or supply the same or an equivalent product free of charge.

Designer Doorware Pty Ltd however, assumes no liability for the following:

- Improper installation or failure to follow the fitting instructions.
- Failure due to improper maintenance or fair wear and tear.
- Indirect or consequential loss or damage.
- Cost of removal and/or replacement and
- Cost of freight and/or travelling time.

All finishes unless PVD are classified as soft finishes as deterioration is possible under some climatic conditions, these are excluded from this guarantee. Any modifications to a product as supplied or repairs are excluded from this guarantee.

dD Product Care

Finishing Care

All Designer Doorware products are made with superior quality materials and finishes to meet strict standards. However, it is necessary that the products be cared for during and after installation to aid in their longevity.

Caring for Door Handles during Installation

The cleaning of new door handles should prevent special problems, although more attention may be required if the installation period has been prolonged. Where surface contamination is suspected, immediate attention to cleaning will promote a trouble-free service life. It's important to know that these products need constant maintenance, or they will appear to oxidize.

Product Design

In the interest of constantly enhancing products, we reserve the right to alter our dimensions, materials and designs, any time without notice.

Contact Us

designerdoorware.com
sales@designerdoorware.com

Head Office & Showroom

7 Kimpton Way
Altona VIC
Australia 3018
T: +613 9300 8888

Melbourne Showroom

431 Church Street
Richmond VIC
Australia 3121
T: 03 9300 8887

Sydney Showroom

Shop 2,
35 Buckingham St
Surry Hills NSW
Australia 2010
T: 03 9300 8880

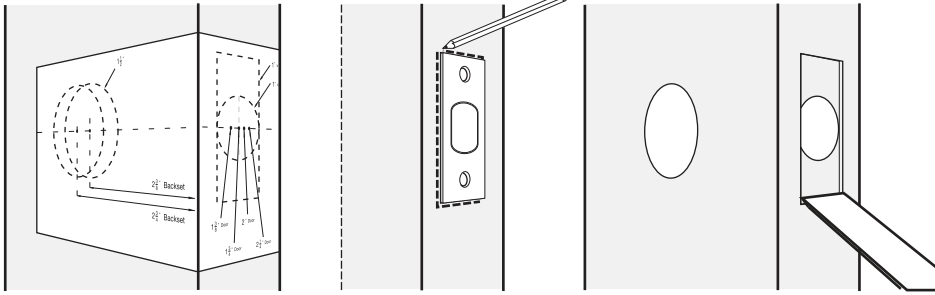
QLD, SA, WA

0411 410 498

North American distributor
ForteBrands.com
T: 1.844.992.8371

London
sales@designerdoorware

Our products are available internationally.
Please contact your nearest distributor.

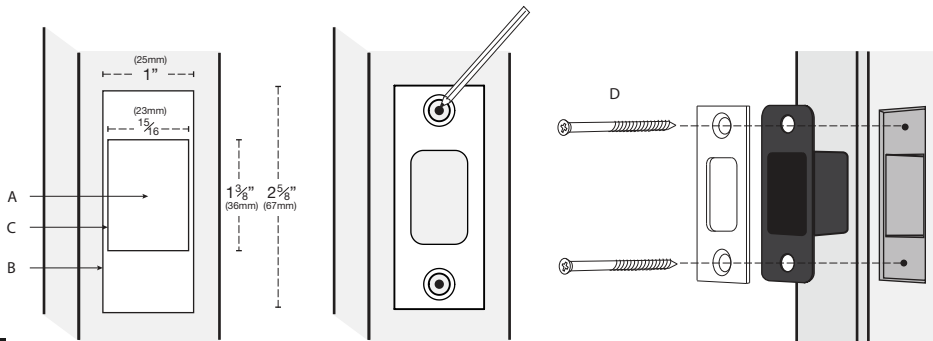


Door Preparation

If your door is pre-bored please proceed to step 2.

- > Fold and place the template at desired height, on the high side of the door bevel.
- > Center punch the edge and face bores based on door thickness and backset.
- > Drill the 2-1/2" diameter face bore. Drill from both sides to prevent splintering.
- > Drill a 1" diameter edge bore, 3-1/2" deep from the edge of the door.
- > Place tubular deadbolt into edge bore and mark outline. Mortise door edge to a depth of 4mm.

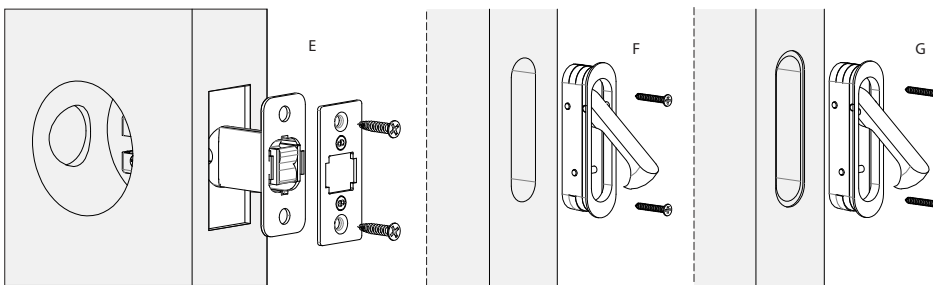
1.



Door Jamb Preparation & Strike Assembly

- > Center punch the jamb (A), directly opposite the tubular deadbolt.
- > Using the preferred method make a 1-1/8" (25mm) wide * 2-3/8" (60mm) tall * 3mm deep cutout (B).
- > Using the preferred method make a 1" (25mm) wide * 1-3/8" (36mm) tall * 1-1/8" (28mm) deep cutout (C).
- > Place the striker into cutout B and mark the two screw center points.
- > Drill two pilot holes for the 3" wood screws or combination screws.
- > Assemble all parts as shown.
- > Lubricant is recommended when installing the 3" wood screws.

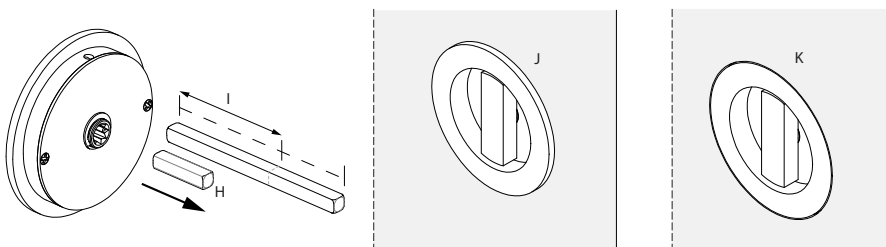
2.



Assemble Tubular Bolt & Edge Pulls (Both Versions)

- > Assemble the (E) sliding door bolt into the pre-drilled 1" (25mm) hole using two #8g L25mm screws
 - > Using the top section of the template, located the desired location for the edge pull. Mark and centre punch the drill locations.
 - > For a standard lip version (F), start by using a 5/8" (16mm) Spade drill bit to drill 5 holes as marked, 11/16" (17.5mm) deep and mortise accordingly.
 - > For a flush fit version (G), start by using a 3/4" (19mm) Spade drill bit to drill 5 holes as marked, 1/16" (1.5mm) deep and mortise accordingly. Repeat step (F) to create the slot for the edge pull.
- Using the two #5g L20mm Wood screw, fasten the edge pull to the door.

3.



Determine Spindle Length & Flush Pull Mounting Version

Spindle (H) is only used for a 1-3/8" (35mm) standard door as shown in version (J). For a recessed configuration (K) 1-3/32" (28mm) or for a 1-3/16" (30mm) configuration (J) then either spindle needs to be shortened accordingly.

For all other door thicknesses the longer spindle (I) 5x5mm L75mm needs to be used.

To determine the length of the spindle you will need to refer to the table.

Determine which version of flush pull mounting is desired, standard lip version (J) or flush fit version (K).

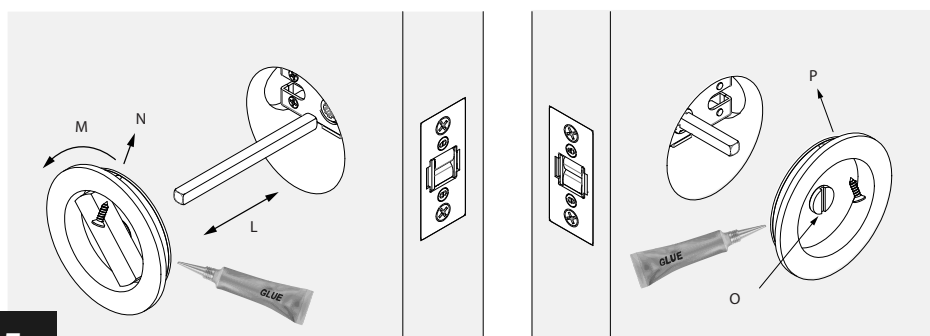
For standard version (J) centre punch & bore a 2-1/8" (54mm) hole.

For flush fit version (K), centre punch and bore a 2-9/16" (65mm) hole, 1/8" (3mm) deep on both sides of the door.

Then centre punch and bore a 2-1/8" (54mm) through hole.

Door Thickness Version	1-3/16" 30(mm)	1-3/8" 35(mm)	1-9/16" 40(mm)	1-49/64" 45(mm)	1-61/64" 50(mm)	2-7/32" 57(mm)	2-17/32" 65(mm)	3-31/32" 75(mm)
Standard Lip	25/64" 22(mm)	25/64" 27(mm)	1-19/64" 33(mm)	1-31/64" 38(mm)	1-11/16" 43(mm)	1-61/64" 50(mm)	2-9/32" 58(mm)	2-21/32" 68(mm)
Flush Fit	n/a	25/64" 21(mm)	1-1/16" 27(mm)	1-1/4" 32(mm)	1-29/64" 37(mm)	1-23/32" 44(mm)	2-1/32" 52(mm)	2-7/16" 62(mm)

4.

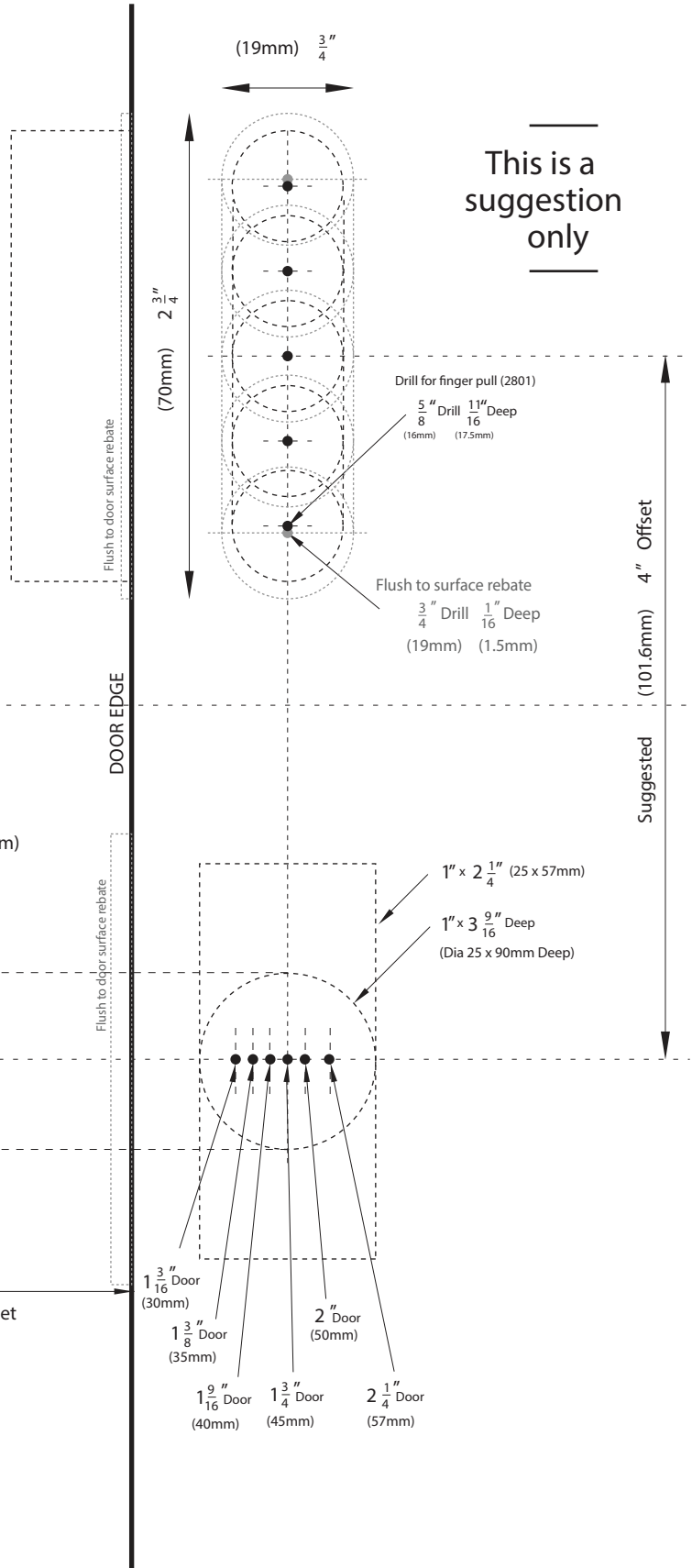


Flush Pull Assembly Final Touches

- > Place the spindle into the sliding door bolts hub (L).
 - > Using a silicone based glue, assemble the flush pull with turn snib side first by placing it into the bored hole making sure that the snib is in the vertical position & the screw hole is located at the top.
 - > Turn the snib (M) in order to expose the screw hole.
 - > Using a screwdriver carefully assemble the #5g L10mm Wood screw through the flush pull and into the door (N).
 - > Repeat the process for the flush pull with emergency, using a silicone based glue, assemble the flush pull into position with the emergency snib slot in the vertical position (O) and the screw hole in the top position.
 - > Using a screwdriver carefully assemble the #5g L10mm Wood screw through the flush pull and into the door (P).
- Clean off any excess glue and test that the sliding door lock to ensure that it operates correctly.

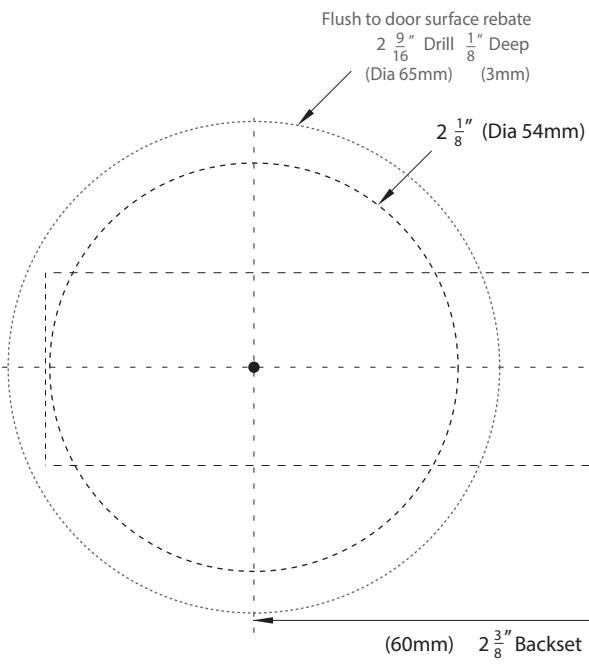
5.

Installation Template



This is a suggestion only

If not using suggested 100mm offset detach on this line



DOOR EDGE

Flush to door surface rebate

